

MAKE SAVINGS

+ Time

Increase productivity by minimizing the time spent managing your waste.

+ Space

Give yourself more space without expanding your building. Reduce the volume of barrel/drums and cans frees up storage space.

+ Economy

Give more value to your waste to optimize its sale. Minimize your waste collect costs by reducing the transport of your waste.



Ease of use
100% Automatic
100% Secure

CO2 Reducer

The



of HF930

- + Easy and secure use
- + Very small floor space requirement
- + Quick and easy installation
- + Compacting steel drums from 20L to 200L
- + Very significant volume reduction
- + High resistance over time
- + Presence of a liquid recovery tank

Technical characteristics

Length	1 125 mm
Depth	1 400 mm
Total height	2 440 mm
Transport height	2 440 mm up to 2 500 mm (with packaging)
Open door depth	2 115 mm
Weight	860 kg
Power	7.5 kW - 380V - 3 phases
Compaction force	20 tons
Drum height	930 mm max
Cycle time	30 seconds

Available in automatic version



Waste type

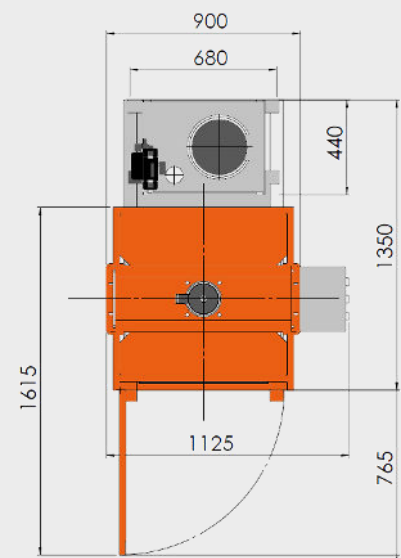
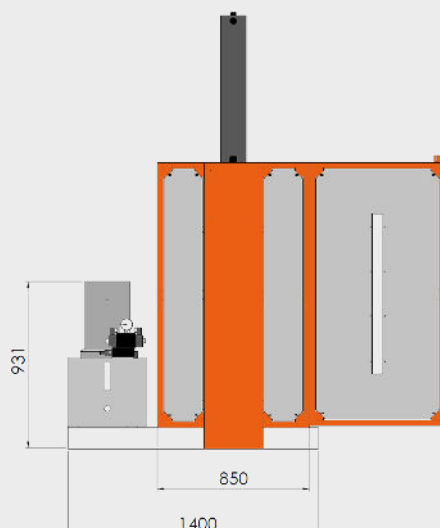
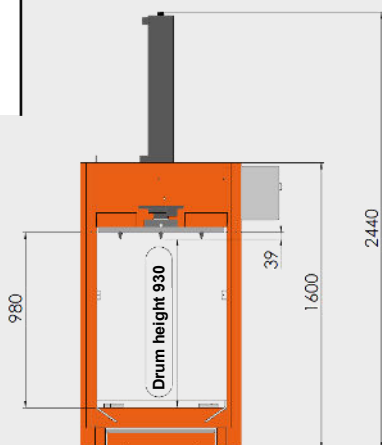


Drums

Further informations

- CE Certification and maintenance manual
- Equipped with a 45 liter liquid collect tank
- Made of steel covered in EPOXY paint
- Electrical security
- Version possibility ATEX / ADF (optional)
- Version possibility INTRINSEQUE (optional)
- Hot-dip galvanized frame (optional)
- Delivered with 2m of 4G4 square cable
- 1 curve circuit breaker D - 25A to be provided on the electrical supply of the place of installation (at the customer's expense)

DRAWINGS :



The manufacturer can modify the characteristics at any time