



## MAKE SAVINGS

### + Time

Increase productivity by minimizing the time spent managing your waste.

### + Space

Give yourself more space without expanding your building. Reduce the volume of barrel/drums and cans frees up storage space.

### + Economy

Give more value to your waste to optimize its sale. Minimize your waste collect costs by reducing the transport of your waste.



Any configuration  
100% Automatic  
100% Secure

CO2 Reducer

# The + of AUTO

- + Simple and secure use
- + Full and automatic version
- + Adaptable to all production lines
- + Compacting of steel drums from 20L to 220L
- + Very significant volume reduction
- + High resistance over time
- + Possibility of explosion protection to ATEX standards

## Technical characteristics

Dimensions	to be defined according to project
Dimensions standard version example 1 (length x width x height)	3 415 x 3 213 x 36 10 mm
Weight	to be defined according to project
Power drum press	7,5kW - 380V - 3 phases
Drum press compaction force	20 tons
Drum height	Up to 1070mm (including 930mm)
Compatible drum	Up to 220 Liters
Examples of loading adaptations	Motorized or non-motorized roller conveyor, mesh protection enclosure, protection tunnel...
Examples of unloading adaptations	Conveyor belt(s) with or without protective edges, elevator, protection tunnel...

Available in version 1 standard drum

Example of operation (configuration 2)



## Waste type

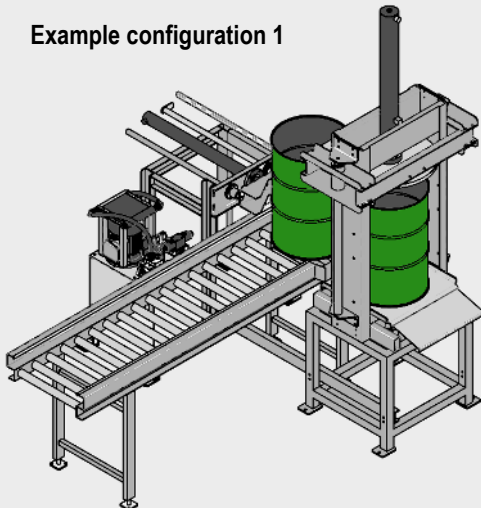


## Further informations

- Certification CE et livret d'emploi entretien
- Part made of steel covered with EPOXY paint
- Electrical security
- Drum detector
- Version possibility ATEX / ADF (optional)
- Version possibility INTRINSEQUE (optional)
- Awning or weather protection roof possible (optional)
- Hot-dip galvanized frame (optional)
- 1 curve circuit breaker D to be provided according to configuration (at the customer's expense)
- Explosion protection to ATEX standards (optional)

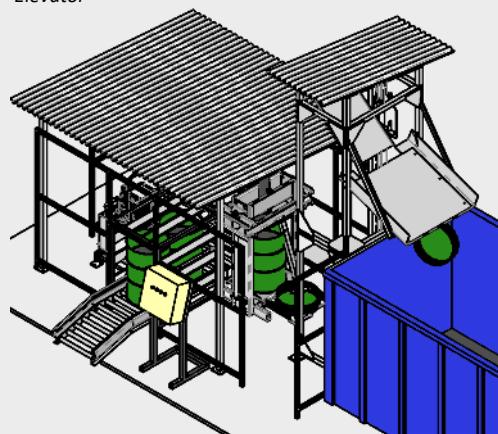
## DRAWINGS :

Example configuration 1



Example configuration 2

Elevator



Example configuration 3

Conveyor belt

